

FLAME ARRESTERS

GPI STAINLESS STEEL FLAME ARRESTERS

Equip your performance marine engine with a U.S. Coast Guard approved GPI flame arrester offered in nine different sizes to accommodate a variety of popular four-barrel Holly/Rochester and Dominator carburetor models. GPI flame arresters are manufactured using 100% highly polished stainless steel construction to insure maximum corrosion resistance, even in harsh saltwater environments. Each GPI flame arrester model has been specially engineered to deliver optimum air intake to the carburetor. Available in two diameter sizes (8 and 10 inch) and three heights (2, 3 and 5 inch).



Catalog No.	Item No.
GFA-850-8-2	1500
GFA-850-8-3	1510
GFA-850-8-5	1520
GFA-850-10-2	1530
GFA-850-10-3	1540
GFA-850-10-5	1550
GFA-1050-10-2	1560
GFA-1050-10-3	1570
GFA-1050-10-5	1580

ALUMINUM FLAME ARRESTERS

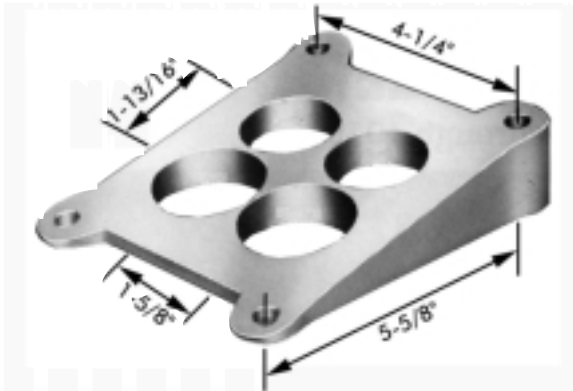
All aluminum flame arrester with a very low profile. Ideal for engines installed in hulls using a motor box or hatch covers. U.S. Coast Guard approved.

Air Horn Size	Element Thickness	Height Overall	Diameter	Cat. No.	Item No.
2-5/8"	1-1/8"	1-7/8"	6-1/2"	20922	458
4-3/16	1-1/2"	2-3/8"	5-3/4"	20924	459
4-3/16"	3"	3-7/8"	5-3/4"	20924-A	459-A
5-1/8"	1-1/2"	1-1/2"	5-3/4"	20925-C	460-C
5-1/8"	1-1/2"	2-3/8"	5-3/4"	20925-F	460-F
5-1/8"	3"	3-7/8"	5-3/4"	20925-D	460-D
With Breathers:					
4-3/16"	1-1/2"	2-3/8"	5-3/4"	20924-B	459-B
5-1/8"	1-1/2"	1-1/2"	5-3/4"	20925-E	460-E
5-1/8"	1-1/2"	2-3/8"	5-3/4"	20925-G	460-G



CARBURETOR TILT SHIMS

FOUR THROAT CARBURETOR TILT SHIM - 12°

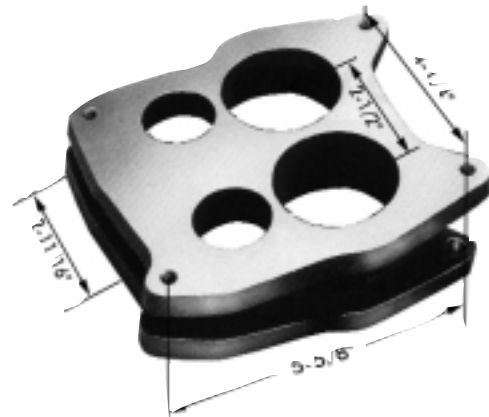


CAST ALUMINUM

Precision machined and drilled to fit most four barrel carburetors with four bolt patterns. Prevents carburetor flooding and wasting gas.

Length	Width	Catalog No.	Item No.
6 1/2"	5"	19910	410

QUADRAJET TILT SHIM - 8°

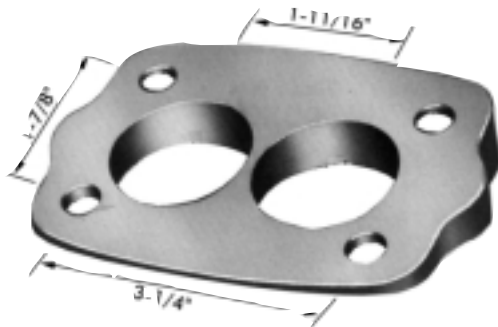


CAST ALUMINUM

Designed especially for four barrel Quadrajet carburetors.

Catalog No.	Item No.
20020	412

TWO THROAT CARBURETOR TILT SHIM - 12°

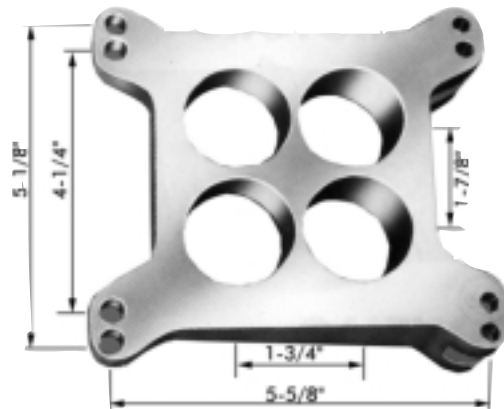


CAST ALUMINUM

Machined and drilled for most four bolt, two barrel carburetors.

Length	Width	Catalog No.	Item No.
5"	3-3/8"	20010	411

TILT SHIM - 12°



CAST ALUMINUM

Designed for Holley and Carter AFB carburetors with a 4-1/4" x 5-1/8" or 5-5/32" x 5-5/8" bolt pattern.

Catalog No.	Item No.
20510	455

FOOT THROTTLES • THROTTLE BRACKET

Pedal Width: 4-3/4"
Floor to Top of Pedal: 13-7/8"
Base Length: 11-5/8"



DELUXE FLOOR MOUNT FOOT THROTTLE

This mechanical throttle has a built in return spring and can be mounted anywhere on the floor of the boat allowing positioning to where it is most comfortable for the driver. Cast from 356 Aluminum and has a polished finish. *Cable not included.

Catalog No.	Item No.
18000	1283

*Order 33C cables from page 52.

Pedal Width: 5-3/4"
Pedal Height: 13-7/8"
Base Length: 11-5/8"



COMPETITION FOOT THROTTLE

POLISHED ALUMINUM

Heavy duty competition mechanical foot throttle may be mounted to the engine stringer or to a vertical block glassed to the bottom of the hull. Pedal angle is adjustable.

*Cable not included.

Catalog No.	Item No.
16700	258

*Order 33C cables from page 52.

Pedal Width: 4"
Pedal Height: 11-5/8"
Base Length: 7-1/4"



CABLE CONTROL FOOT THROTTLE

Cast aluminum pedal with predrilled base, cable adapters and a ball joint.

*Cable not included.

	Catalog No.	Item No.
Polished	17702	306

*Order flexible throttle cable from page 52. See Item Numbers 307 through 311.

NOTE: ALL FOOT THROTTLES ARE PUSH TO ACCELERATE



THROTTLE BRACKET

Eliminate troublesome carburetor linkage hook-up with this throttle bracket designed for Holley carburetors. Stamped steel construction and chrome plated. Includes cable clamp, screws and nuts.

Catalog No.	Item No.
51000	965