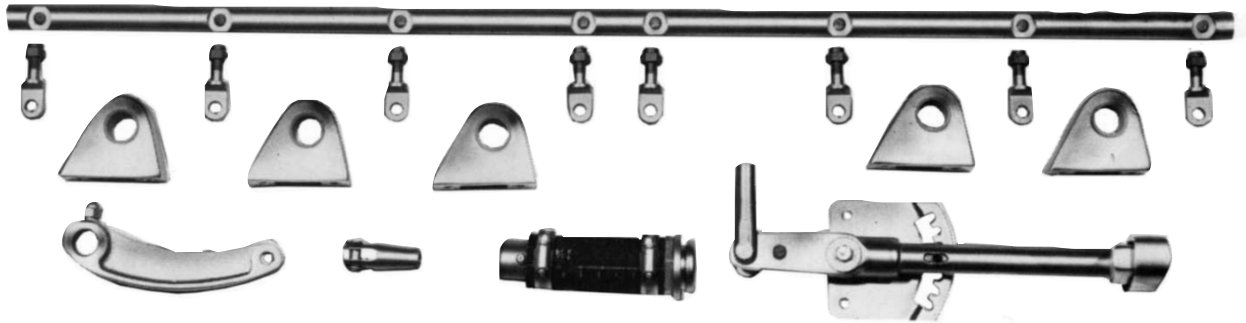


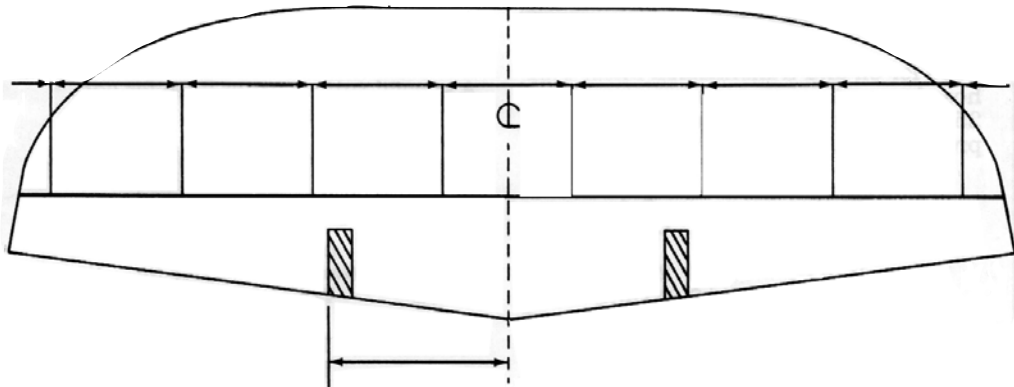
# CAVITATION PLATE HARDWARE

## DELUXE ADJUSTABLE CAVITATION PLATE HARDWARE



The deluxe kit is furnished with Item #580 bronze chrome pillow transom blocks with 7/8" bronze bushings. The deluxe kit uses the stainless steel control arms (Item #583) which bolt through the 7/8" control shaft (Item #593). Deluxe kit is also available with staggered stainless steel control arms. Please accompany order with drilling dimensions on control shaft (use diagram below) and we will drill the shaft at no extra charge.

Description	Catalog No.	Item No.
Deluxe Kit	22710	577
Deluxe Kit With Staggered Arm	22714	578



### 7/8" CONTROL SHAFT



Drilled and spotfaced to receive our 3/4" stainless control arms. This control shaft is furnished with our deluxe adjustable plate kit. Accompany order with layout on above diagram to facilitate drilling and spotfacing.

Catalog No.	Item No.
22750	593

### 1" CONTROL SHAFT



Drilled and spotfaced to receive our 3/8" stainless control arms or 7/16" x 1 1/4" stainless control arm. Accompany order with layout on above diagram to facilitate drilling and spotfacing.

Description	Catalog No.	Item No.
1" Control Shaft	22760	3050
7/16" x 1 1/4" S.S. Control Arm	22763	3060

# CAVITATION PLATES

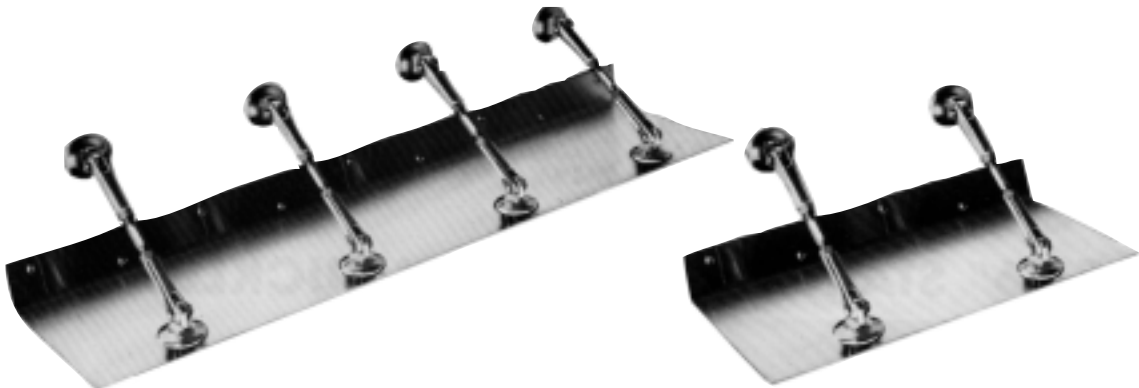
## STANDARD CAVITATION PLATES



Our cavitation plates are adjustable and control the ride to individual preferences. Furnished with all necessary equipment for easy mounting. Plates are cad plated steel with bronze chrome plated bosses and stainless steel turnbuckles. Sold per pair.

Length	Width	Transom Angle	Catalog No.	Item No.
18"	9"	90°	13490	100
18"	9"	12°	13412	99

## CUSTOM CAVITATION PLATES



These custom cavitation plates are made of stainless steel with a satin finish. Set includes chromed transom and plate bosses, stainless steel turnbuckles and screws. Stainless steel pins and clips are furnished to fasten turnbuckles to bosses. All necessary hardware for easy mounting is included. Sold per pair.

Length	Width	Transom Angle	Catalog No.	Item No.
18"	9"	90°	21219	468
20"	6 <sup>3</sup> / <sub>4</sub> "	90°	21229	471
30"	6 <sup>3</sup> / <sub>4</sub> "	90°	21239	474
18"	9"	12°	21212	467
20"	6 <sup>3</sup> / <sub>4</sub> "	12°	21222	470
30"	6 <sup>3</sup> / <sub>4</sub> "	12°	21232	473

# TURNBUCKLES

## 1/2" STAINLESS STEEL TURNBUCKLE



Stainless steel turnbuckle for 3/8" bosses. Easy adjustment and double locking nuts for performance.  
Uses Plate Boss - Item #472 or Item #475.

Minimum Eye to Eye Measurement	Maximum Eye to Eye Measurement	Catalog No	Item No.
6 <sup>3</sup> / <sub>4</sub> "	8 <sup>3</sup> / <sub>4</sub> "	13301	3001
7 <sup>3</sup> / <sub>4</sub> "	9 <sup>3</sup> / <sub>4</sub> "	13302	3002
8 <sup>3</sup> / <sub>4</sub> "	10 <sup>3</sup> / <sub>4</sub> "	13303	3003
9 <sup>3</sup> / <sub>4</sub> "	11 <sup>3</sup> / <sub>4</sub> "	13304	3004
10 <sup>3</sup> / <sub>4</sub> "	12 <sup>3</sup> / <sub>4</sub> "	13305	3005
11 <sup>3</sup> / <sub>4</sub> "	13 <sup>3</sup> / <sub>4</sub> "	13306	3006
12 <sup>3</sup> / <sub>4</sub> "	14 <sup>3</sup> / <sub>4</sub> "	13307	3007
13 <sup>3</sup> / <sub>4</sub> "	15 <sup>3</sup> / <sub>4</sub> "	13308	3008
14 <sup>3</sup> / <sub>4</sub> "	16 <sup>3</sup> / <sub>4</sub> "	13309	3009
15 <sup>3</sup> / <sub>4</sub> "	17 <sup>3</sup> / <sub>4</sub> "	13310	3010

THREAD SIZE: 1/2-20

## 3/8" STAINLESS STEEL TURNBUCKLE



Stainless steel turnbuckles for 3/8" bosses. Easy adjustment and double locking nuts.  
Uses Plate Boss - Item #472 or Item #475.

Minimum Eye to Eye Measurement	Maximum Eye to Eye Measurement	Catalog No.	Item No.
6 <sup>3</sup> / <sub>4</sub> "	8 <sup>3</sup> / <sub>4</sub> "	13206	79
7 <sup>3</sup> / <sub>4</sub> "	9 <sup>3</sup> / <sub>4</sub> "	13207	80
8 <sup>3</sup> / <sub>4</sub> "	10 <sup>3</sup> / <sub>4</sub> "	13208	81
9 <sup>3</sup> / <sub>4</sub> "	11 <sup>3</sup> / <sub>4</sub> "	13209	82
10 <sup>3</sup> / <sub>4</sub> "	12 <sup>3</sup> / <sub>4</sub> "	13210	83
11 <sup>3</sup> / <sub>4</sub> "	13 <sup>3</sup> / <sub>4</sub> "	13211	84
12 <sup>3</sup> / <sub>4</sub> "	14 <sup>3</sup> / <sub>4</sub> "	13212	85
13 <sup>3</sup> / <sub>4</sub> "	15 <sup>3</sup> / <sub>4</sub> "	13213	86
14 <sup>3</sup> / <sub>4</sub> "	16 <sup>3</sup> / <sub>4</sub> "	13214	87

THREAD SIZE: 7/16-20

## 5/16" STAINLESS STEEL TURNBUCKLE



Stainless steel turnbuckles for 5/16" bosses. Allows adjustment to the cavitation plate for ride comfort and performance.  
Uses Plate Boss - Item #469 ONLY.

Minimum Eye to Eye Measurement	Maximum Eye to Eye Measurement	Catalog No.	Item No.
6 <sup>1</sup> / <sub>4</sub> "	8 <sup>1</sup> / <sub>2</sub> "	13106	73
7 <sup>1</sup> / <sub>4</sub> "	9 <sup>1</sup> / <sub>2</sub> "	13107	74

THREAD SIZE: 3/8-24

# CAVITATION PLATE HARDWARE

## BRONZE AND STAINLESS STEEL COMPETITION BOSSES



Male bosses for 3/8" turnbuckles. Precision machined and available chrome plated or in stainless steel and are 2" in diameter.

Description	Catalog No.	Item No.
Bronze Chrome	21230	472
Stainless Steel	21231	475



Male bosses for 5/16" turnbuckles. Precision machined and chrome plated and are 1-3/4" in diameter.

Description	Catalog No.	Item No.
Bronze Chrome	21220	469

## STAINLESS STEEL SCREWS

5/16" x 1/2" stainless steel screws used to bolt cavitation plate bosses to the plate.



Catalog No.	Item No.
21270	480

## STAINLESS STEEL PINS AND CLIPS



For connection of turnbuckles to bosses. Stainless steel pin with Stainless E clips.

Description	Catalog No.	Item No.
For 5/16" Male Boss	21242	476
For 3/8" Male Boss	21250	477
Extra Clip - 5/16"	212-4	485
Extra Clip - 3/8"	212-5	486

## STAINLESS STEEL PINS AND RINGS

5/16" or 3/8" pins with head and stainless steel ring. May be used in place of the pin and clip.



Description	Catalog No.	Item No.
5/16"	21265	479
3/8"	21263	478

## STAINLESS STEEL CLEVIS



Drilled and tapped 1/2-20 right hand thread. Sturdy construction, precision machined and polished.

Catalog No.	Item No.
22670	569

## CONTROL ARM CAST MANGANESE



Cast from 70,000 Manganese Bronze, chrome plated. Machined for 3/4" shaft. Use with 3/8" turnbuckles.

Description	Catalog No.	Item No.
3/8"	22653	565

## STUDS, NUTS AND WASHERS



Attach bosses to the transom with these 5/16" x 2" studs, nuts and washers.

Catalog No.	Item No.
21280	481

# CAVITATION PLATE HARDWARE

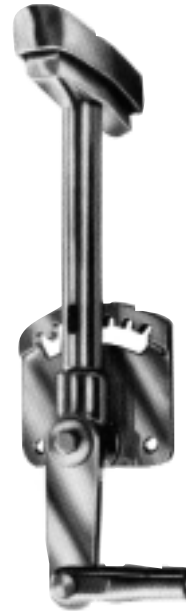
## OVAL THRU HULL



Cast oval thru hull fitting for adjustable cavitation plates. Made in 90° and 12° angle for angled transoms.

Description	Catalog No.	Item No.
90°	22621	560
12°	22622	561

## CAVITATION PLATE HANDLE



7 position cavitation plate control handle has the sector and lever cast of 70,000 manganese bronze, chrome plated. The plunger rod and clevis are stainless steel. Handle is polished and chrome plated.

Catalog No.	Item No.
22630	562

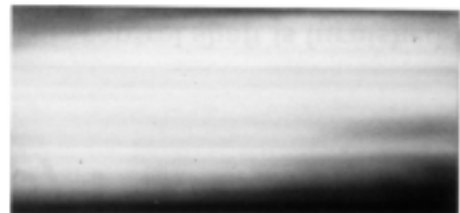
## THRU HULL ASSEMBLY



Machined, bronze chrome plated. Has a 1/2" I.D. seal.

	Catalog No.	Item No.
	22620	559
1/2" Seal Only	22609	556

## ALUMINUM PLATE STOCK



Flat aluminum plate for fabricating cavitation plates. 6061-T6 aluminum plate.

Description	Catalog No.	Item No.
16" x 36" x .190	22453	541

# CAVITATION PLATE HARDWARE

## CONTROL LEVER

### CAST MANGANESE BRONZE

Cast from 70,000 Manganese Bronze and is chrome plated. Precision machined for 3/4" or 7/8" shaft. Clevis is stainless for 1/2" shaft.

Size	Catalog No	Item No.
3/4"	22643	563
7/8"	22647	564

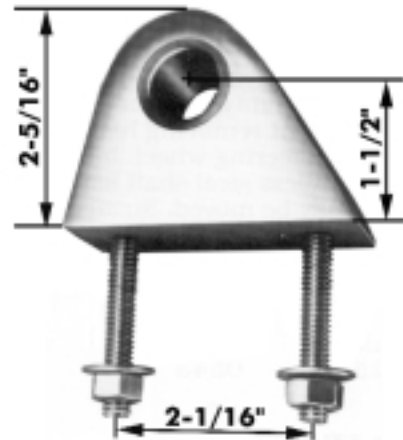


## TRANSOM PILLOW BLOCK

Precision machined. Available in highly polished aluminum or cast bronze chrome plated. Fitted with a bronze bushing for 3/4" or 7/8" shaft. Base is 1-1/8" x 3-1/16".

### Shaft

Size	Description	Catalog No.	Item No.
3/4"	Aluminum polished	22663	567
3/4"	Bronze chrome	22723	579
7/8"	Aluminum polished	22667	568
7/8"	Bronze chrome	22727	580



## STAINLESS CONTROL ARM

To obtain ultimate performance, it is sometimes necessary to adjust a portion of the cavitation plate up or down. To accomplish this, these control arms are available in staggered lengths. Bolts through a 7/8" control shaft. To determine length, measure from bottom of barrel to center of eye. Thread size is 3/8-24.

### From Shaft to Center of Eye

From Shaft to Center of Eye	Catalog No.	Item No.
3/4"	22740	583
1"	22741	584
1-1/8"	22748	591
1-1/4"	22744	587
1-3/8"	22743	586
1-1/2"	22745	588
1-5/8"	22746	589
1-3/4"	22738	581
1-7/8"	22739	582
2"	22742	585
2-1/8"	22747	590
2-1/4"	22749	592



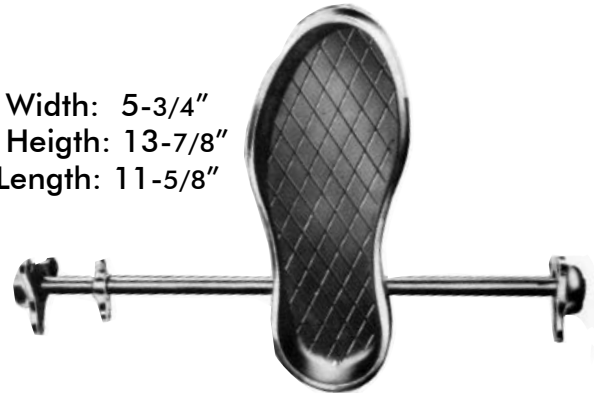


# CAVITATION PLATE CONTROLS

## CAVITATION FOOT CONTROL

Allows the driver to control the cavitation plate adjustment with their foot, without removing their hand from the steering wheel. Includes 7/8" stainless steel shaft keyed so pedal may be moved. Stringer blocks have 7/8" oil lite bushings.

Pedal Width: 5-3/4"  
Pedal Height: 13-7/8"  
Base Length: 11-5/8"



<b>Catalog No.</b>	<b>Item No.</b>
22501	543

## OVERRIDE ASSEMBLY

Allows use of both a hand and foot pedal cavitation plate control adjustment. Stainless steel slip joint is furnished for the cavitation handle, along with spring, collars, aluminum angle and knuckle joint.

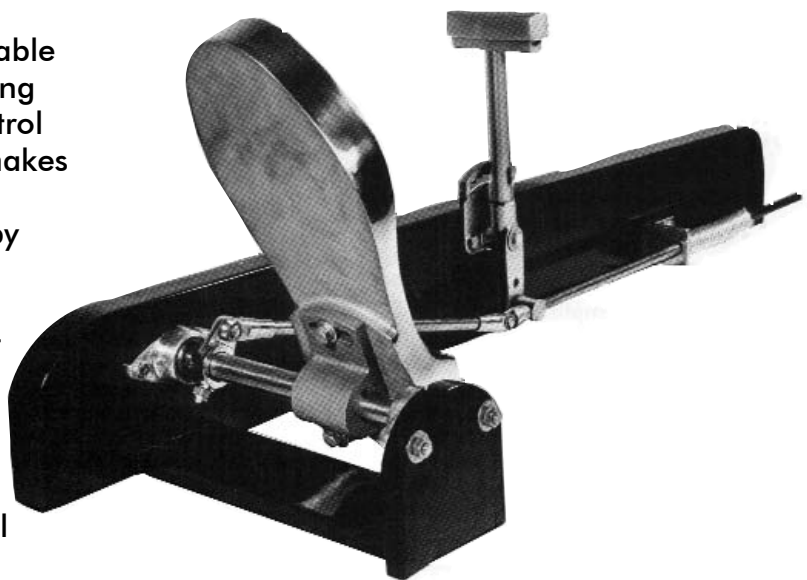


<b>Catalog No.</b>	<b>Item No.</b>
22502	544

## ADJUSTABLE CAVITATION PLATE OVERRIDE

### HOW IT WORKS

On high speed boats, quick accurate setting of the cavitation plate is desirable for safety and best performance. Using a combination Foot Control and Control Handle with an Override Assembly makes such adjustment quick and positive. Usually the cavitation plates are set by the hand control to the desired pitch. However, when quick acceleration is desired, or when the bow of the boat needs to be brought down instantly, the foot control can be depressed to override the hand control. When the foot control is released the cavitation plate will return to its initial pre-set pitch.



# PICKUP KITS • HOSE

## CAVITATION PLATE PICKUP KIT

### STAINLESS STEEL

This stainless steel cavitation plate pickup is used to take water from the cavitation plates to the engine.

Description	Catalog No.	Item No.
Kit complete (No. 10-AN less hose)	22350	537
Pickup only (No. 10-AN)	22351	538
Thru Hull only (No. 10-AN)	22352	539
Pickup only (No. 12-AN)	22353	542
Thru Hull only (No. 12-AN)	22354	540



### BRAIDED HOSE

#### STAINLESS STEEL



This hose is made of synthetic rubber with stainless steel wire braid covering it. Complete with stainless steel straight, swivel nuts, 5/8" #10, to fit our Item #537 Cavitation Plate Pickup Kit.

Description	Catalog No.	Item No.
12" of braided hose and the fittings	22201	534

## NEOPRENE HIGH PRESSURE HOSE AND FITTINGS



Used for oil and transmission lines. This hose has an average working pressure of 250 lbs. PSI and has an average burst pressure of 1,000 lbs. PSI per foot.

### WATER HOSE



Water hose for connecting water supply on engine conversions.

I.D. Hose	O.D. Hose	Catalog No.	Item No.
5/8"	1"	15958	206
3/4"	1-1/8"	15934	205
1"	1-3/8"	15901	203

#### Fitting Only

I.D. Hose	Catalog No.	Item No.
1/4"	23614	616
3/8"	23638	618
1/2"	23612	615
5/8"	23658	619
3/4"	23634	617

#### Hose Only

I.D. Hose	Catalog No.	Item No.
1/4"	22914	596
3/8"	22938	598
1/2"	22912	595
5/8"	22958	599
3/4"	22934	597