

EXHAUST SYSTEMS

MAGNAFLOW® SERIES STERN DRIVE EXHAUST SYSTEM



Glenwood's Magnaflow® Series Stern Drive Exhaust System is a lightweight and affordable replacement for stock cast-iron MerCruiser, OMC and Volvo I/O manifolds and risers. The Magnaflow® Series features weight saving precision cast aluminum exhaust manifolds and risers which are a direct bolt-on, no modification installation. To help insure maximum durability and corrosion resistance, Magnaflow® Exhaust Systems are hard anodized inside and out to a battle ship gray finish and are also available polished. Magnaflow® Exhaust Systems are available for both small block (305 and 350 c.i.) and big block (454 c.i.) Chevrolet V-8 engines.

	Catalog No.	Item No.
Magnaflow® (exhaust manifolds only) small block V-8 (Hard anodized)	35010	1610
Magnaflow® (exhaust manifolds only) small block V-8 (Polished)	35020	1611
Magnaflow® (exhaust manifolds only) big block V-8 (Hard anodized)	45410	1620
Magnaflow® (exhaust manifolds only) big block V-8 (Polished)	45420	1621

MAGNAFLOW® RISER/ELBOW

The Magnaflow® exhaust riser/elbow is cast aluminum and fully water jacketed. Risers are hard anodized inside and out to a battle ship gray finish and are also available polished. Will fit both big block and small block Magnaflow® exhaust manifolds. A direct replacement for MerCruiser, OMC, and Volvo I/O cast-iron riser/elbow. Accommodates standard MerCruiser shift/throttle bracket attachment. Full 4" O.D. riser.



	Catalog No.	Item No.
Magnaflow® riser/elbow (Hard anodized)	29170	1630
Magnaflow® riser/elbow (Polished)	33472	1631

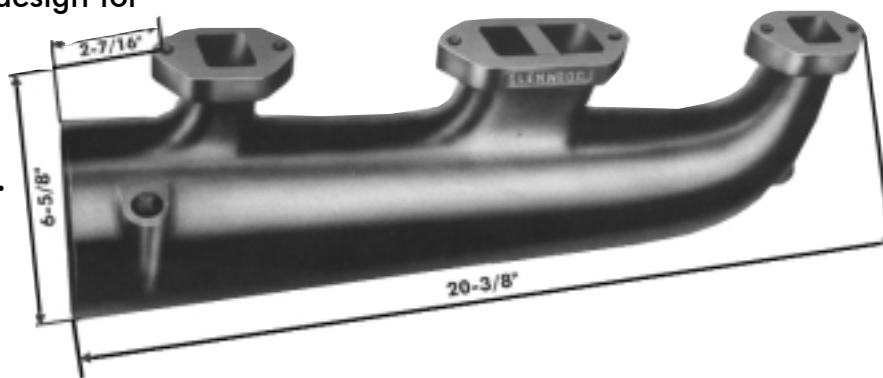
EXHAUST MANIFOLDS

CHEVROLET - SMALL BLOCK V-8

265-283-305-307-327-350 & 400 cu. in.

Free flowing, swept back design for maximum performance.

Catalog No. 28320
Item No. 697

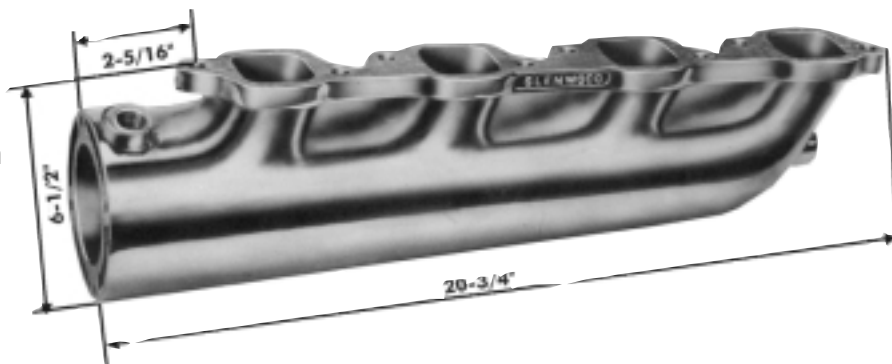


CHEVROLET - BIG BLOCK V-8

396-427 & 454 cu. in.

Cast 356 aluminum alloy. Features smooth flowing exhaust ports for maximum efficiency.

Catalog No. 39620
Item No. 956



CHEVROLET - V-6

262 cu. in., 4.3 liter

A true performance fully water jacketed header type manifold. Use with 4" elbows or risers.

Catalog No. 23920
Item No. 1298



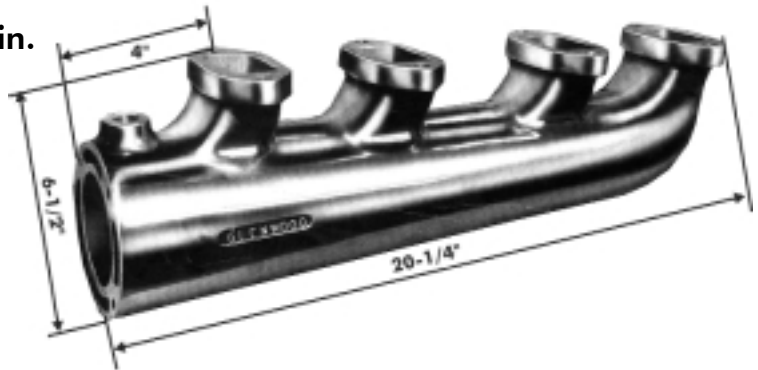
EXHAUST MANIFOLDS

FORD V-8

352-390-406-427 & early 428 cu. in.

All Glenwood header type manifolds have large 3" exhaust outlets for extra performance.

Catalog No.	Item No.
42720	959

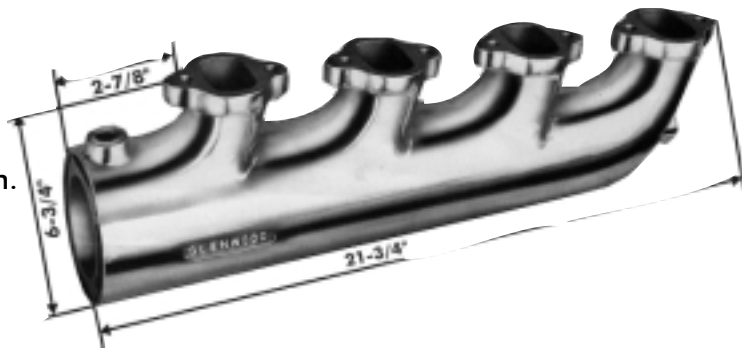


FORD AND LINCOLN

429 - 460

Space saving header manifold design with brightly polished aluminum finish.

Catalog No.	Item No.
42920	960



CHRYSLER WEDGE

361-363-383-413-426 & 440cu.in

Wedge 1959-1973 on B Block engines. Will not fit a Hemi engine.

Catalog No.	Item No.
44020	961

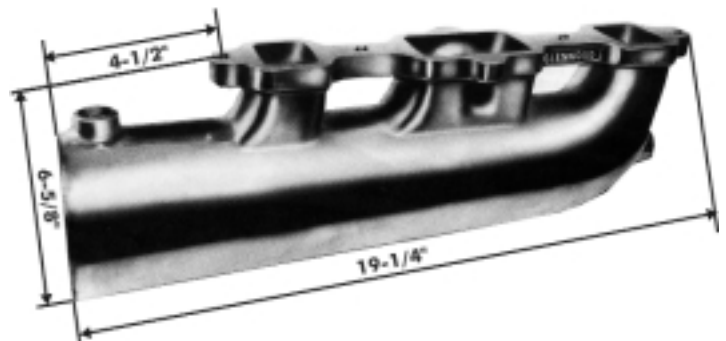


OLDSMOBILE V-8

350-400-403-425 & 455 cu. in.

Every Glenwood header manifold is fully water jacketed to minimize heat build-up.

Catalog No.	Item No.
45520	962



EXHAUST MANIFOLDS

BUICK

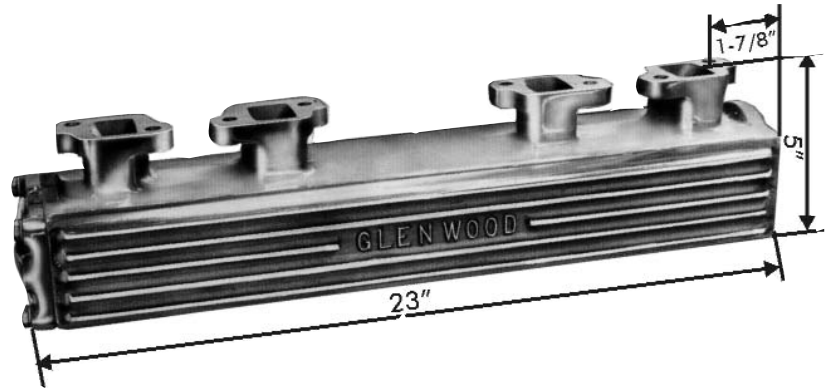
401 & 425 cu. in.

1953 - 1965

Efficient, smooth flowing exhaust chambers. Includes elbow adapters.

Catalog No.
27920

Item No.
694



PONTIAC

389, 421 & 455 cu. in.

1959-1979 (except Ram Air)

Includes elbow adapters.

Catalog No.
29321

Item No.
720



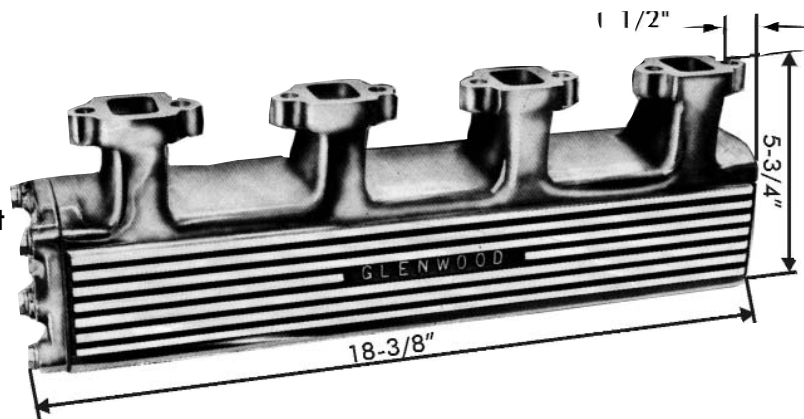
FORD

221-260-289-302 & 351 cu. in.
(except Cleveland engine)

Distinctive finned exterior. Lightweight cast aluminum construction. Includes elbow adapters.

Catalog No.
31120

Item No.
755



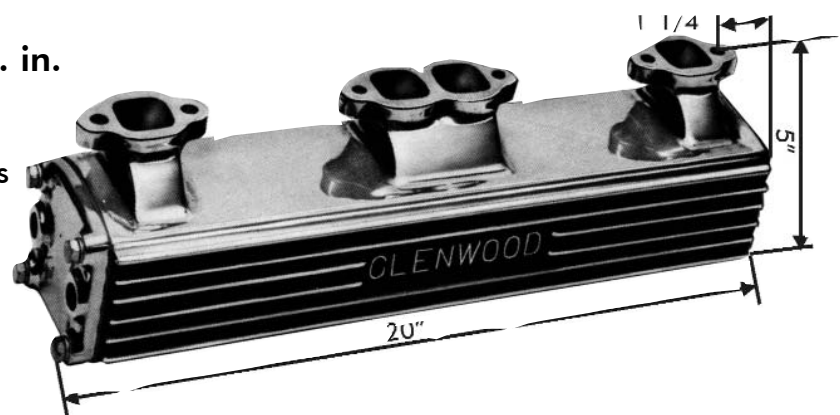
CHEVROLET V-8

265-283-307-327-350 & 400 cu. in.

Lightweight and durable cast 356 aluminum alloy. Finned exterior. Has full water jacketed cooling. Includes elbow adapters.

Catalog No.
31620

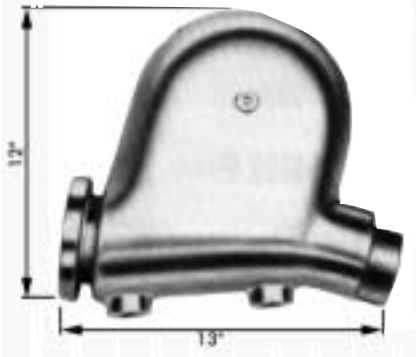
Item No.
758



RISERS - CAST ALUMINUM

WATER COOLED RISERS

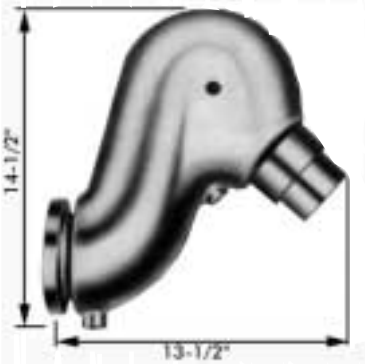
Designed exclusively for Glenwood's high performance marine header manifolds. These water jacketed risers have a full 3" exhaust outlet.



Flange Size	Hole Size	Hose Size	Catalog No.	Item No.
4-7/8"	3"	2-7/8" or 3 1/2" I.D.	29162	714

WATER COOLED RISERS

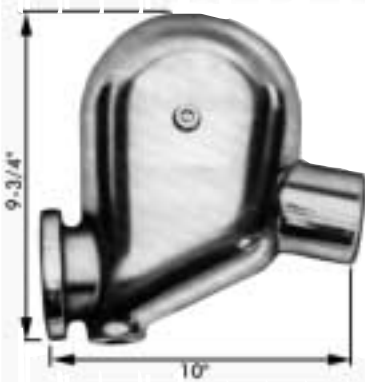
Thru-transom exhaust outlets on low freeboard hulls may allow water to enter the engine. To prevent possible damage to valve chambers and other internal parts, exhaust risers are a must. (Fits header type manifolds only).



Flange Size	Hole Size	Hose Size	Catalog No.	Item No.
4-7/8"	3"	2-7/8" or 3 1/2" I.D.	29142	710

WATER COOLED SMALL RISERS

For Glenwood's rectangular custom exhaust manifolds, these cast aluminum risers feature complete water cooling.



Flange Size	Hole Size	Hose Size	Catalog No.	Item No.
4"	2 1/2"	2-7/8" I.D.	29182	716

Same riser as above but with large flange for header type manifolds.

Flange Size	Hole Size	Hose Size	Catalog No.	Item No.
4-7/8"	2 1/2"	2-7/8" I.D.	29172	715

WATER COOLED SMALL RISERS 'DOWN-ANGLE OUTLET'

Made for Glenwood's rectangular and V-6 Chevrolet manifolds for typical I/O installation.

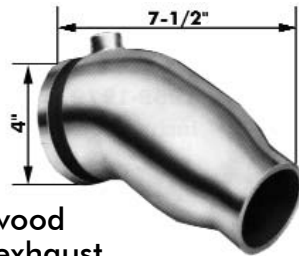


Flange Size	Hole Size	Hose Size	Catalog No.	Item No.
4"	2 1/2"	2-7/8" I.D.	29192	717

NOTE: ALL RISERS COME UNDRILLED

EXHAUST ELBOWS

35° WATER COOLED ELBOWS



The traditional Glenwood rectangular custom exhaust manifolds utilize these cast aluminum elbows. All use 2-7/8" flexible hose to connect elbows to exhaust flanges.

Flange Size	Hole Size	Hose Size	Catalog No.	Item No.
4"	2 1/2"	2-7/8"	29112	707

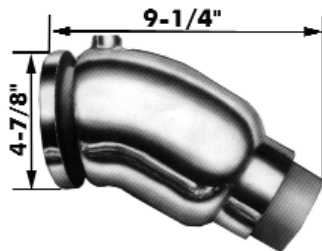
80° WATER COOLED ELBOWS



For engine installations close to the transom, (jets and stern drives) these elbows will accommodate 2" or 2 1/2" pipe size. (Fits rectangular type exhaust manifolds only).

Flange Size	Hole Size	Hose Size	Catalog No.	Item No.
4"	2 1/2"	2-3/8" or 2-7/8" I.D.	29122	708

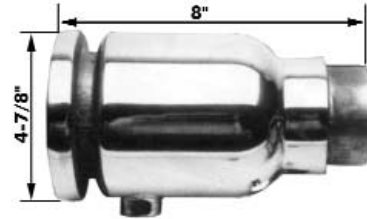
35° EXTRA LARGE WATER COOLED ELBOWS



All Glenwood marine header manifolds use these large capacity water cooled elbows. Designed for 2 1/2" or 3" pipe size. (Fits header type manifolds only).

Flange Size	Hole Size	Hose Size	Catalog No.	Item No.
4-7/8"	3"	2-7/8" or 3 1/2" I.D.	29132	709

STRAIGHT WATER COOLED OUTLET



Ideal for conventional inboard engine direct applications (tournament type ski boats).

Flange Size	Hole Size	Hose Size	Catalog No.	Item No.
4-7/8"	3"	2-7/8" or 3 1/2" I.D.	29130	1600

ELBOW ADAPTERS

Rectangular type exhaust manifolds must use these adapters when running water cooled exhaust elbows. Furnished with studs, nuts and gaskets.

Flange Size	Use With Item No.	Catalog No.	Item No.
3 1/2" x 3 3/4"	755 & 758	29021	703
3-5/16 x 4 1/2"	694	29022	704
3-9/16" x 4 1/2"	720	29023	705

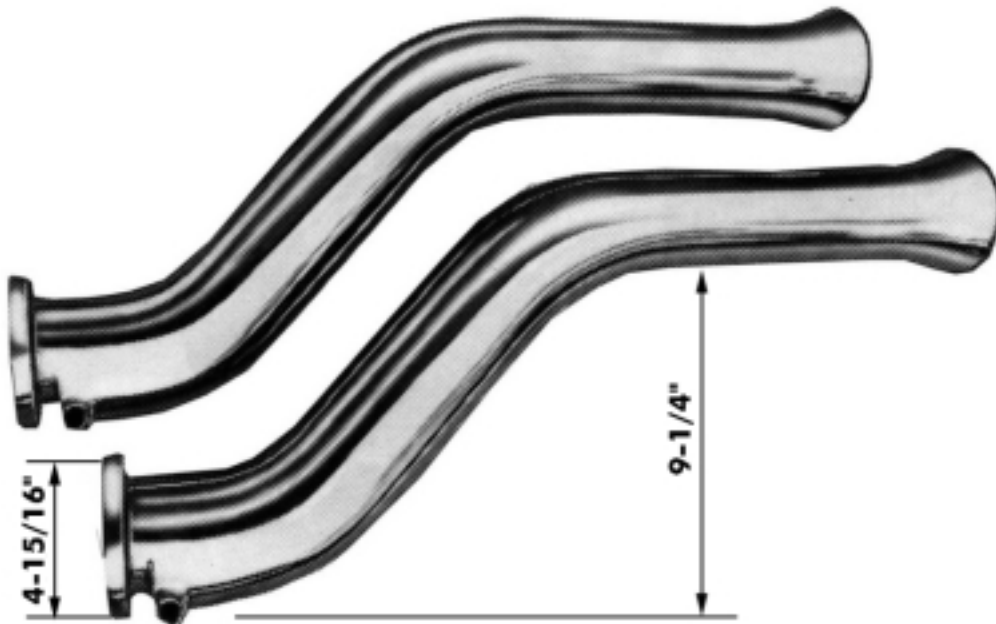
GASKETS ONLY

Description	Catalog No.	Item No.
Square Gasket	28999	702
Three Hole Gasket	29099	706
Four Hole Gasket	29199	718

NOTE: ALL ELBOWS COME UNDRILLED

O.T. TRANSOM EXHAUST • GLASS PACK MUFFLERS

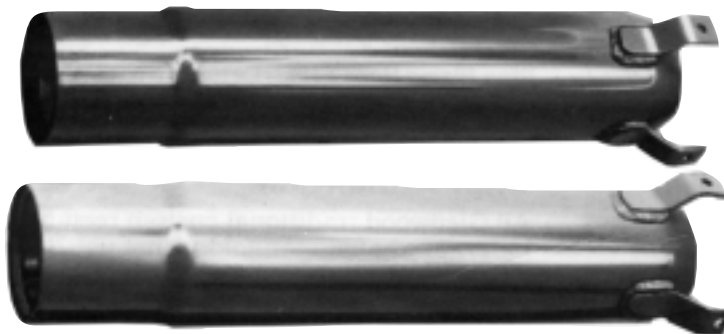
OVER TRANSOM EXHAUST



CAST ALUMINUM

Available in two length sizes, these highly polished cast aluminum Over-Transom Exhaust pipes feature 3" outlets for maximum engine efficiency. (Fits header type exhaust manifolds only).

Lengths	Catalog No.	Item No.
Pair 29"	29159	713
Pair 31"	29151	711
Pair 29" 31"	29152	712



GLASS PACK MUFFLERS

Easy to install. Used with Glenwood's cast aluminum Over-Transom Exhaust Pipes.

	Catalog No.	Item No.
For aluminum O.T.'s	606240	1123
For steel O.T.'s	606241	1124

SALISBURY EXHAUST PORTS • GARDS

EXHAUST PORTS



Glenwood's Thru-transom exhaust ports are available in three sizes. All are epoxy powder coated black for maximum durability. Hose connection ends are ring-grooved to ensure a secure, water-tight seal. All of these exhaust ports are available with optional Salisbury Exhaust Gard Flaps to prevent water from entering the engine due to backwash.

Pipe Size	Hose I.D.	Catalog No.	Item No.
2½"	2-7/8"	30925	1810
3"	3½"	30935	1820
3½"	4"	30940	1830

SALISBURY EXHAUST GARDS

Rough water, waves and abrupt reverse gear operation leaves every inboard engine equipped with standard thru-transom exhaust tips exposed to the harmful effects of backwash. In order to reduce the possibility of water entering the engine from the exhaust side and causing costly internal damage, Glenwood Marine stocks a full selection of Salisbury Exhaust Gards, the most widely used method of preventing engine backwash in the marine industry. Salisbury Exhaust Gards are made from durable, non-corrosive neoprene rubber, designed to fit a wide assortment of exhaust tips ranging in size from 2½"-6" diameter. Salisbury Exhaust Gards can be installed on most boats in only minutes. Furnished with a stainless steel adjustable clamp to secure the gard to the exhaust tip.



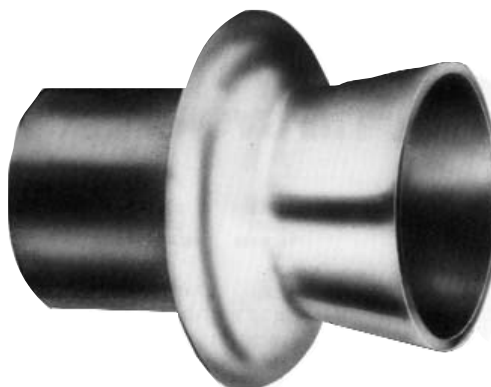
Pipe Size	Hose I.D.	Catalog No.	Item No.
2½"	3"	EG-300	1400
3½"	4"	EG-400	1410
4½"	6"	EG-600	1420

EXHAUST PORTS

TRUMPET TYPE EXHAUST PORT

The popular Trumpet Exhaust Port keeps the transom clean and attractive. Furnished with studs, nuts and washers for easy installation.

Description	Pipe Size	Hose Size I.D.	Catalog No.	Item No.
Polished Alum.	2½"	2-7/8"	21322	488
Polished Alum.	3"	3½"	21323	489
Chrome Brass	2½"	2-7/8"	21342	490
Chrome Brass	3"	3½"	21343	491



CUSTOM EXHAUST PORT

Glenwood's Custom Exhaust Port is available in polished aluminum or chrome brass. Furnished with studs, nuts and washers.

Description	Pipe Size	Hose Size I.D.	Catalog No.	Item No.
Polished Alum.	2"	2-3/8"	30622	743
Polished Alum.	2½"	2-7/8"	30625	745
Polished Alum.	3"	3½"	30623	744
Chrome Brass	2"	2-3/8"	30642	746
Chrome Brass	2½"	2-7/8"	30645	748
Chrome Brass	3"	3½"	30643	747



FLAPPER TRUMPET EXHAUST PORT

This exhaust port features a built-in flapper to prevent water from entering the engine on the low freeboard and deep-vee hulls. Available in polished aluminum, chrome brass and stainless steel. Furnished with studs, nuts and washers.

Description	Pipe Size	Hose Size I.D.	Catalog No.	Item No.
Polished Alum.	2½"	2-7/8"	30825	750
Polished Alum.	3"	3½"	30823	749
Polished Alum.	3½"	4"	30824	1601
Chrome Brass	2½"	2-7/8"	30845	752
Chrome Brass	3"	3½"	30843	751
Chrome Brass	3½"	4"	30844	1602
Stainless Steel	2½"	2-7/8"	30865	1293
Stainless Steel	3"	3½"	30863	1294



REPLACEMENT FLAPS

Catalog No.	Item No.
30800	753

Center to Center Hole Spread is 1-1/8"
Specify size when ordering

Small - 3-3/8"
Large - 4-3/16"

For Aluminum and Chrome Brass Ports Only
For S.S. Replacement Flaps - please call.

FITTINGS • THRU-HULL • HOSE • CLAMPS

STAINLESS THRU HULL



Stainless steel thru hull for 1/2" No. 8-AN and 5/8" No. 10-AN hose fitting.

Description	Catalog No.	Item No.
No. 8-AN	19850	409
No. 10-AN	19860	1770

STAINLESS THRU HULL



Stainless steel thru hull used for overboard water discharge. Use 1/2" hose.

Catalog No.	Item No.
19550	404

HOSE CLAMPS

STAINLESS STEEL



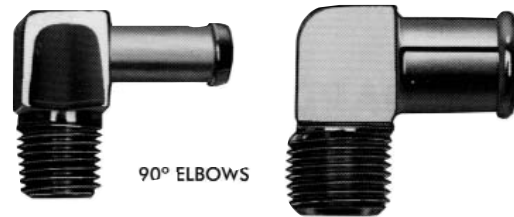
Minimum Diameter	Maximum Diameter	Catalog No.	Item No.
7/32"	5/8"	33405	810
7/16"	25/32"	33406	811
1/2"	29/32"	33408	812
9/16"	1-1/16"	33410	813
11/16"	1-1/4"	33412	814
13/16"	1-1/2"	33416	815
13/16"	1-3/4"	33420	816
1-1/6"	2"	33424	817
1-5/16"	2-1/4"	33428	818
1-9/16"	2-1/2"	33432	819
1-13/16"	2-3/4"	33436	820
2-1/16"	3"	33440	821
2-5/16"	3-1/4"	33444	823
2-9/16"	3-1/2"	33448	824
2-13/16"	3-3/4"	33452	825
3-1/6"	4"	33456	826
3-5/16"	4-1/4"	33460	827
3-9/16"	4-1/2"	33464	828
4-1/16"	5"	33472	1638

PIPE TO HOSE FITTINGS

BRASS/CHROME PLATED



Pipe Size	Hose Size	Catalog No.	Item No.
1/8"	3/8"	25600-01838	666
1/4"	3/8"	25600-01438	665
3/8"	3/8"	25600-03838	669
3/8"	1/2"	25600-03812	668
3/8"	5/8"	25600-03858	670
1/2"	5/8"	25600-01258	664
1/2"	3/4"	25600-01234	1750
3/4"	3/4"	25600-03434	667



Pipe Size	Hose Size	Catalog No.	Item No.
1/4"	3/8"	25600-91438	672
3/8"	1/2"	25600-93812	674
3/8"	5/8"	25600-93858	675
1/2"	5/8"	25600-91258	671
1/2"	3/4"	25600-91234	1760
3/4"	3/4"	25600-93434	673

FLEXIBLE EXHAUST HOSE



Hose I.D.	Pipe I.D.	Catalog No.	Item No.
2-7/8"	2-1/2"	21927	520
3-1/2"	3"	21935	521
4"	3-1/2"	21940	522

NOTE: EXHAUST HOSE CUT TO SIZE IS NOT RETURNABLE.