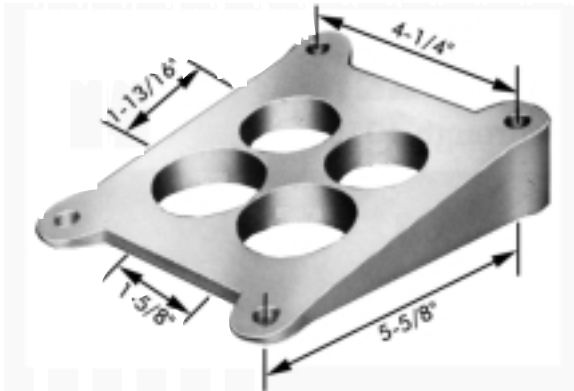


# CARBURETOR TILT SHIMS

## FOUR THROAT CARBURETOR TILT SHIM - 12°

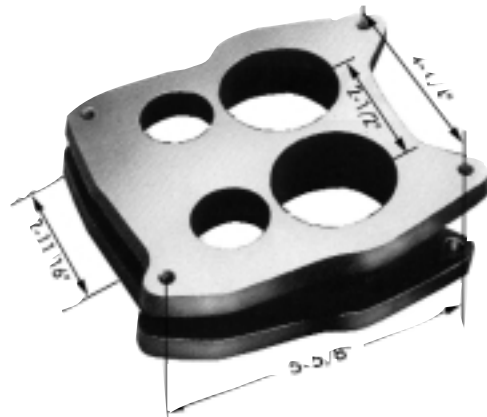


**CAST ALUMINUM**

Precision machined and drilled to fit most four barrel carburetors with four bolt patterns. Prevents carburetor flooding and wasting gas.

Length	Width	Catalog No.	Item No.
6 1/2"	5"	19910	410

## QUADRAJET TILT SHIM - 8°

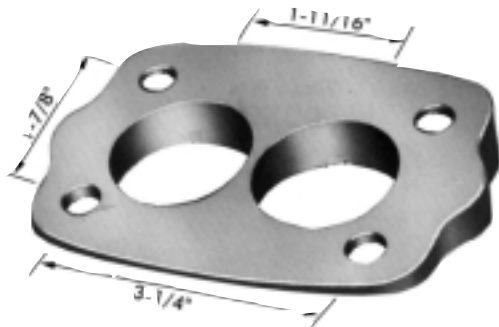


**CAST ALUMINUM**

Designed especially for four barrel Quadrajet carburetors.

Catalog No.	Item No.
20020	412

## TWO THROAT CARBURETOR TILT SHIM - 12°

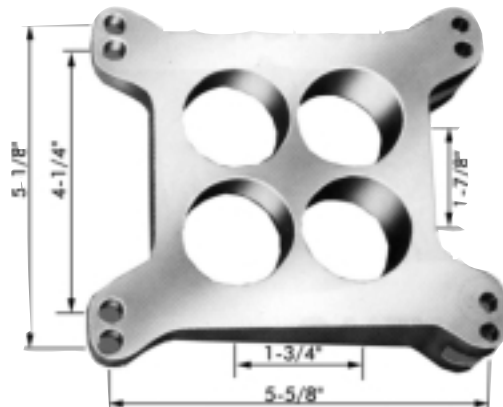


**CAST ALUMINUM**

Machined and drilled for most four bolt, two barrel carburetors.

Length	Width	Catalog No.	Item No.
5"	3-3/8"	20010	411

## TILT SHIM - 12°



**CAST ALUMINUM**

Designed for Holley and Carter AFB carburetors with a 4-1/4" x 5-1/8" or 5-5/32" x 5-5/8" bolt pattern.

Catalog No.	Item No.
20510	455