

WATER DIVIDERS • THERMOSTAT KIT

WATER DISCHARGE DIVIDERS

CAST ALUMINUM



Ford 332-352-390-406-427 & 428 cu. in.

Polished aluminum alloy. Provides for equal discharge of water and easy connection of water hoses.

Catalog No.	Item No.
27023	683

WATER DISCHARGE DIVIDERS

CAST ALUMINUM



Allows water lines to be connected to water cooled exhaust manifolds or elbows with equal discharge rate.

	Catalog No.	Item No.
Chevrolet	27022	682
Oldsmobile	27024	684
Pontiac	27025	685

THERMOSTAT KIT

FOR CHEVROLET AND OLDSMOBILE

Maintain proper engine temperature with this engine thermostat kit. Featuring a special split-water intake and discharge housing. This system allows your engine to maintain optimum operating temperatures at all speeds (160° to 180°F). Thermostat kit comes complete with brass fittings. Housing is available in polished aluminum.

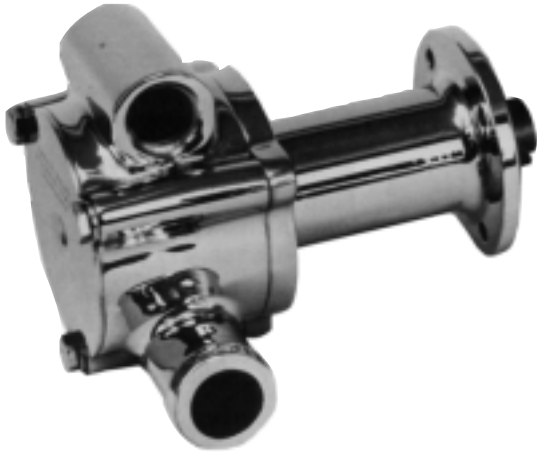
Catalog No.	Item No.
27030	1800



WATER PUMPS • IMPELLERS

MAGNAFLOW® WATER PUMPS

CAM DRIVEN



The "Magnaflo®" is a self-priming, cam driven water pump featuring chrome brass construction, friction minimizing ball bearings, long lasting ceramic seals and a tough neoprene impeller. To accommodate a variety of engine types, the "Magnaflo®" comes standard with a large 1 1/4" hose inlet, tapped 3/4" NPT and a pair of 1/2" NPT outlets.

1" MAGNAFLOW® WATER PUMP

	Catalog No.	Item No.
Pump	60000	1000
Service Kit*	60001	1001

3/4" MAGNAFLOW® WATER PUMP

	Catalog No.	Item No.
Pump	60034	1009
Service Kit*	60034	1010

*Service kits include impeller and "O" Rings.

BELT DRIVEN



The "Magnaflo®" belt driven water pump is the replacement pump for the Neovane 755-A and is constructed the same as our "Magnaflo®" cam driven water pump.

	Catalog No.	Item No.
Pump	V-755A	1019
Service Kit	60001	1001

"NEOVANE" PUMP REPAIR KITS


Kits include new impeller, shear pin and gasket or "O" ring. Kits available for all models listed below.



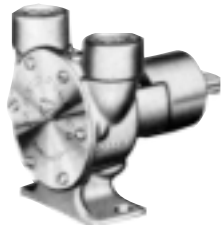
Repair Kit Item No.	For "Neovane" Pump No.
1018	V-505, V-755, H500 and V-750
1017	V-105

WATER PUMPS • BILGE PUMPS


Jabsco Water Pump

Port Size 3/4"	Pump Model Catalog No. 58500001	Item No. 1036	
Impeller Catalog No. 12100001	Item No. 1058	Repair Kit No. 900330001	

Jabsco Water Pump

Port Size 3/4"	Pump Model Catalog No. 38909011	Item No. 1031	
Impeller Catalog No. 12100001 (3/4")	Item No. 1058	Repair Kit No. 901110011 (3/4")	
1"	53309001	1035	
Impeller Catalog No. 9200001 (1")	Item No. 1057	Repair Kit No. 901180001 (1")	Item No. 1054

Jabsco Water Pump

Port Size 1"	Pump Model Catalog No. 7779001	Item No. 1024	
1" High Speed	7779051	1025	
Impeller Catalog No. 9200001	Item No. 1057	Repair Kit No. 901180001	Item No. 1054

JABSCO SUBMERSIBLE BILGE PUMP



Pump Model Catalog No. 302202012	Item No. 1044
--	-------------------------

AUTOMATIC SWITCH

Catalog No. 302950000	Item No. 1041
---------------------------------	-------------------------

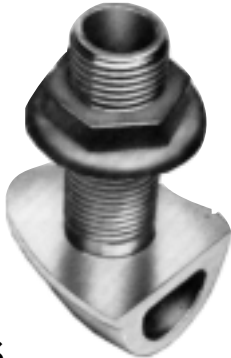
JABSCO BILGE FOR BAIT TANK PUMP



Volt D.C. 12	Pump Model Catalog No. 63601001	Item No. 1038
Impeller Catalog No. 63030003	Item No. 1062	Repair Kit No. 900610003
		Item No. 1052

WATER PICK-UPS

MINIATURE WATER PICK-UP



CAST BRASS

A small streamline fitting which may be used with centrifugal feed cooling to the V-Drive.

Pipe I.D.: 3/8"

Pipe Length: 1-5/8"

Description	Catalog No.	Item No.
Brass	19731	406
Chrome	19741	408

HIGH SPEED SCOOP STRAINERS



CAST BRASS

Water inlet fitting has a protective grate over the intake.

Pipe I.D	Pipe Length	Catalog No.	Item No.
1/2"	2-1/4"	30112	729
3/4"	2-9/16"	30134	730
1"	3"	30101	728

HIGH SPEED WATER PICK-UP



CAST BRASS

A pick-up which can be used with a pump or centrifugal feeding the block.

Pipe I.D.: 1/2"

Pipe Length: 2-1/4"

Description	Catalog No.	Item No.
Brass	30230	731
Chrome	30240	732

WATER DIVIDER TEE



CAST BRASS

This water divider is a must on V-8 engines to distribute an even flow of water to both cylinder heads. The inlet is tapped for 1/2" NPT and the outlets are for 5/8" hose.

Description	Catalog No.	Item No.
Brass	21130	465
Chrome	21140	466

PICKUP KITS • HOSE

CAVITATION PLATE PICKUP KIT

STAINLESS STEEL

This stainless steel cavitation plate pickup is used to take water from the cavitation plates to the engine.

Description	Catalog No.	Item No.
Kit complete (less hose)	22350	537
Pickup only	22351	538
Thru Hull only	22352	539



BRAIDED HOSE

STAINLESS STEEL



This hose is made of synthetic rubber with stainless steel wire braid covering it. Complete with stainless steel straight, swivel nuts, 5/8" #10, to fit our Item #537 Cavitation Plate Pickup Kit.

Description	Catalog No.	Item No.
12" of braided hose and the fittings	22201	534

NEOPRENE HIGH PRESSURE HOSE AND FITTINGS



Used for oil and transmission lines. This hose has an average working pressure of 250 lbs. PSI and has an average burst pressure of 1,000 lbs. PSI per foot.

Fitting Only

I.D. Hose	Catalog No.	Item No.
1/4"	23614	616
3/8"	23638	618
1/2"	23612	615
5/8"	23658	619
3/4"	23634	617

WATER HOSE



Water hose for connecting water supply on engine conversions.

I.D. Hose	O.D. Hose	Catalog No.	Item No.
5/8"	1"	15958	206
3/4"	1-1/8"	15934	205
1"	1-3/8"	15901	203

Hose Only

I.D. Hose	Catalog No.	Item No.
1/4"	22914	596
3/8"	22938	598
1/2"	22912	595
5/8"	22958	599
3/4"	22934	597